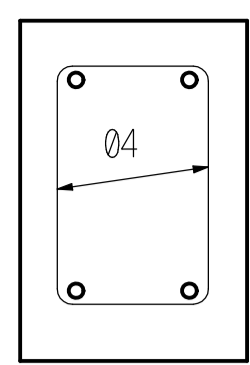
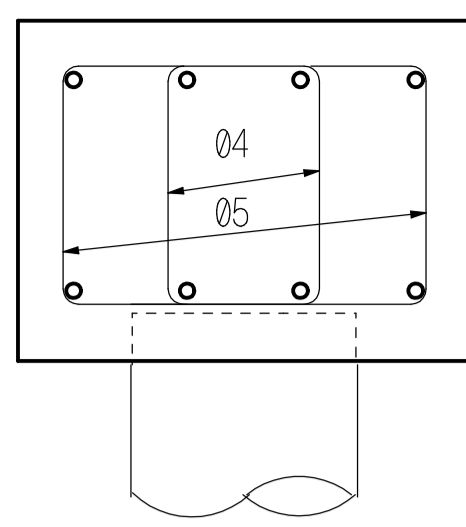


Do not scale this drawing ( except for planning purposes ) there may be variations due to printing. Work to figured dimensions only. If in doubt please ask.

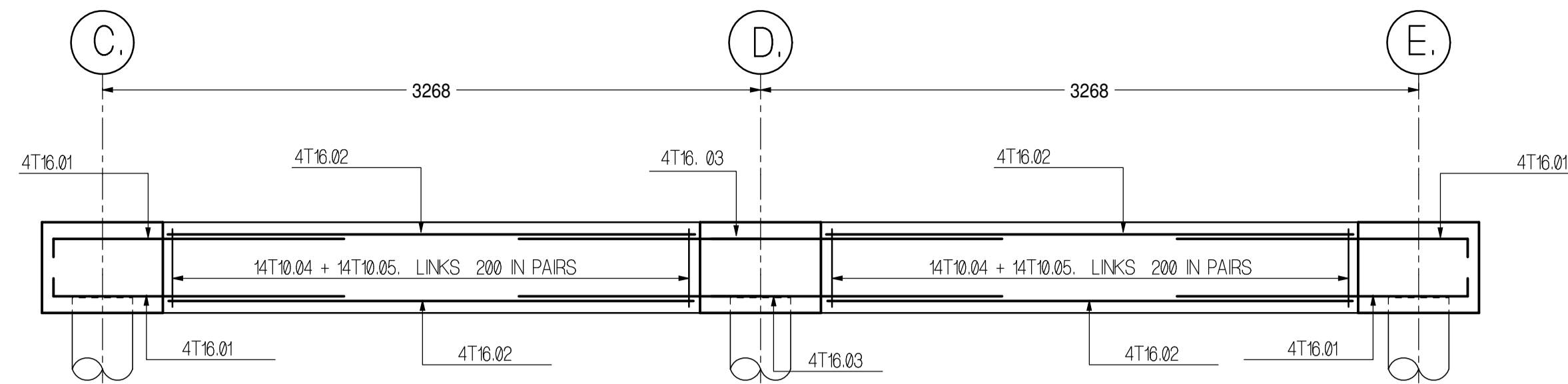
**General notes.**

1. Refer to the soil report.
2. In pile design the top 3 metres is to be ignored.
3. In pile design use a factor of safety of 3.0.
4. Allow for braeking through a concrete slab at 3 metre depth possible filled basement ) on some piles.
5. Pile load not greater than 200kN unfactored.
6. Reinforcement cage 6 metres long minimum.
7. Concrete grade C35 in the ground beams ( low sulphates )  
Min 300kg/ cubic metre cement. Max free water / cement ration 0.6.
8. See Bending schedule ref.
9. Cover to all reinforcement to be 50mm min.

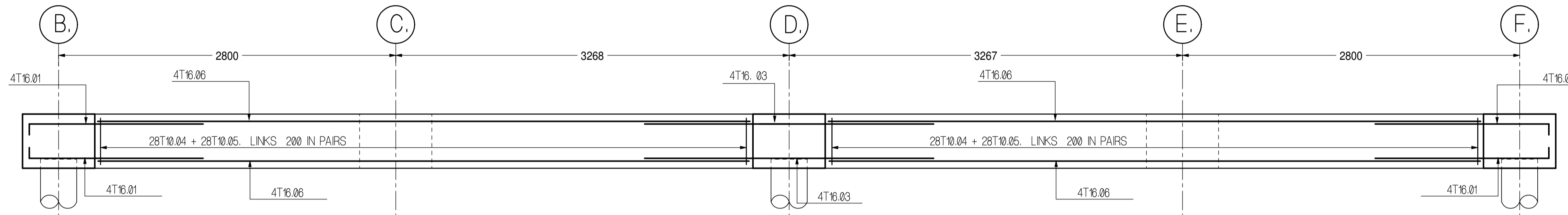


Typical section  
300 X 450 Deep Tie beam.

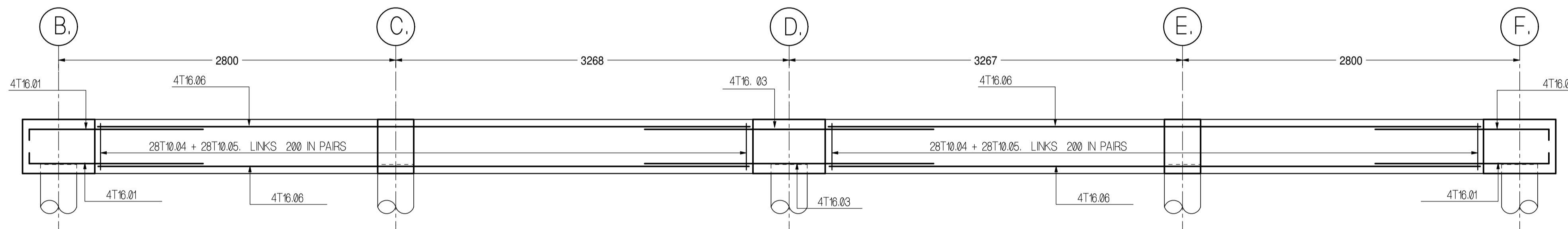
Typical section.  
600 X 450 Deep beam.



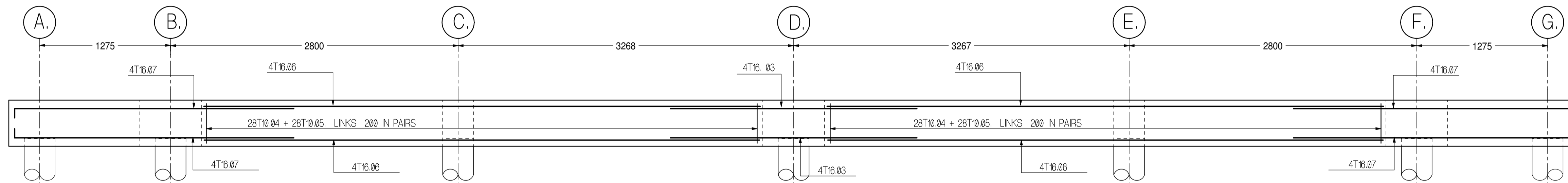
Beam 1 / C - E



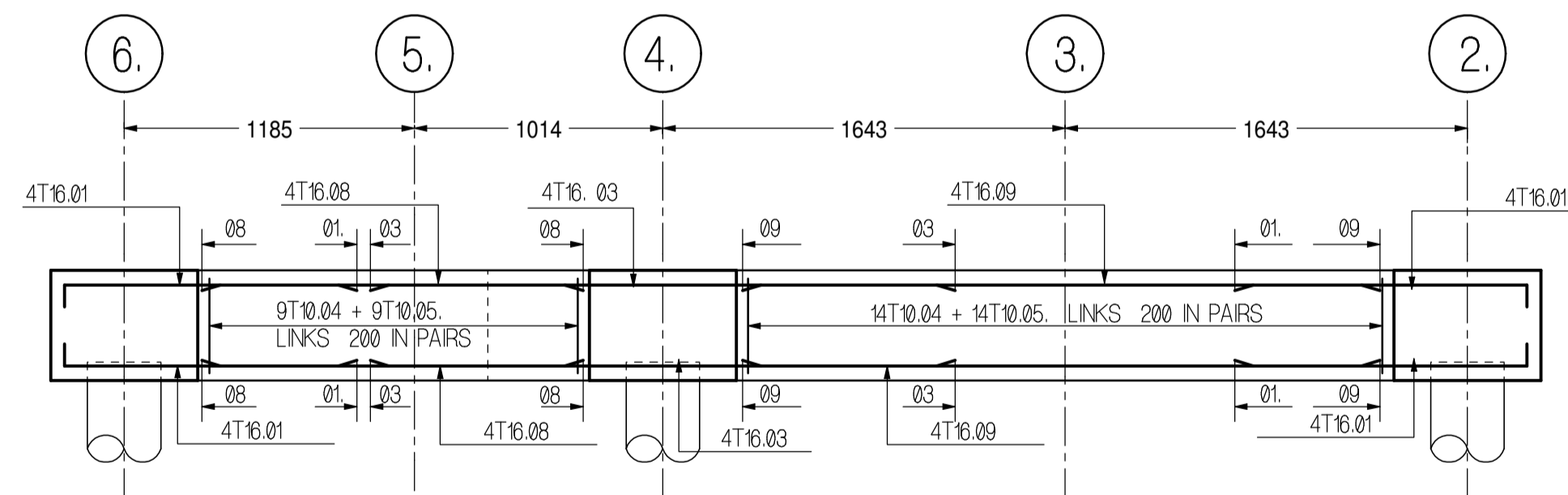
Beam 2 / B - F



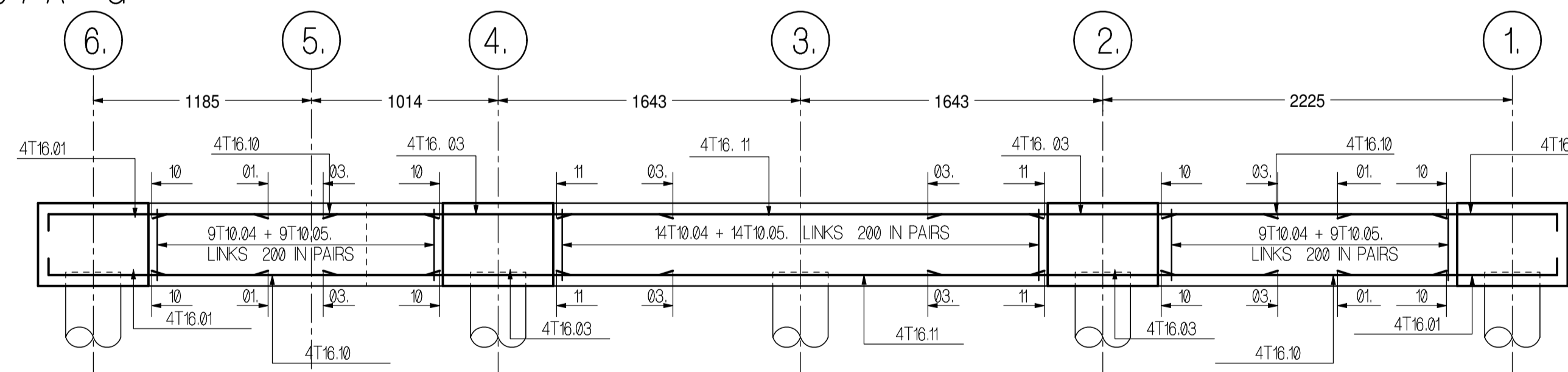
Beam 4 / B - F



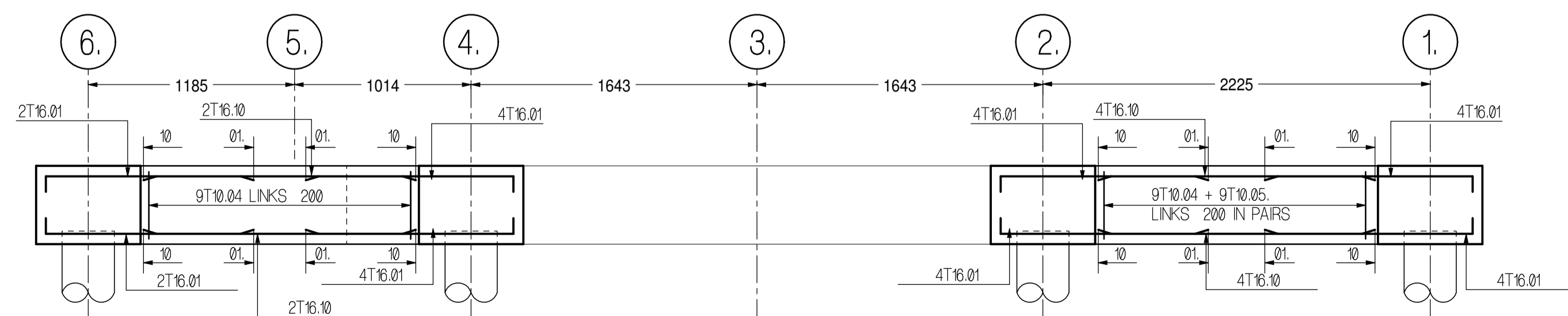
Beam 6 / A - G



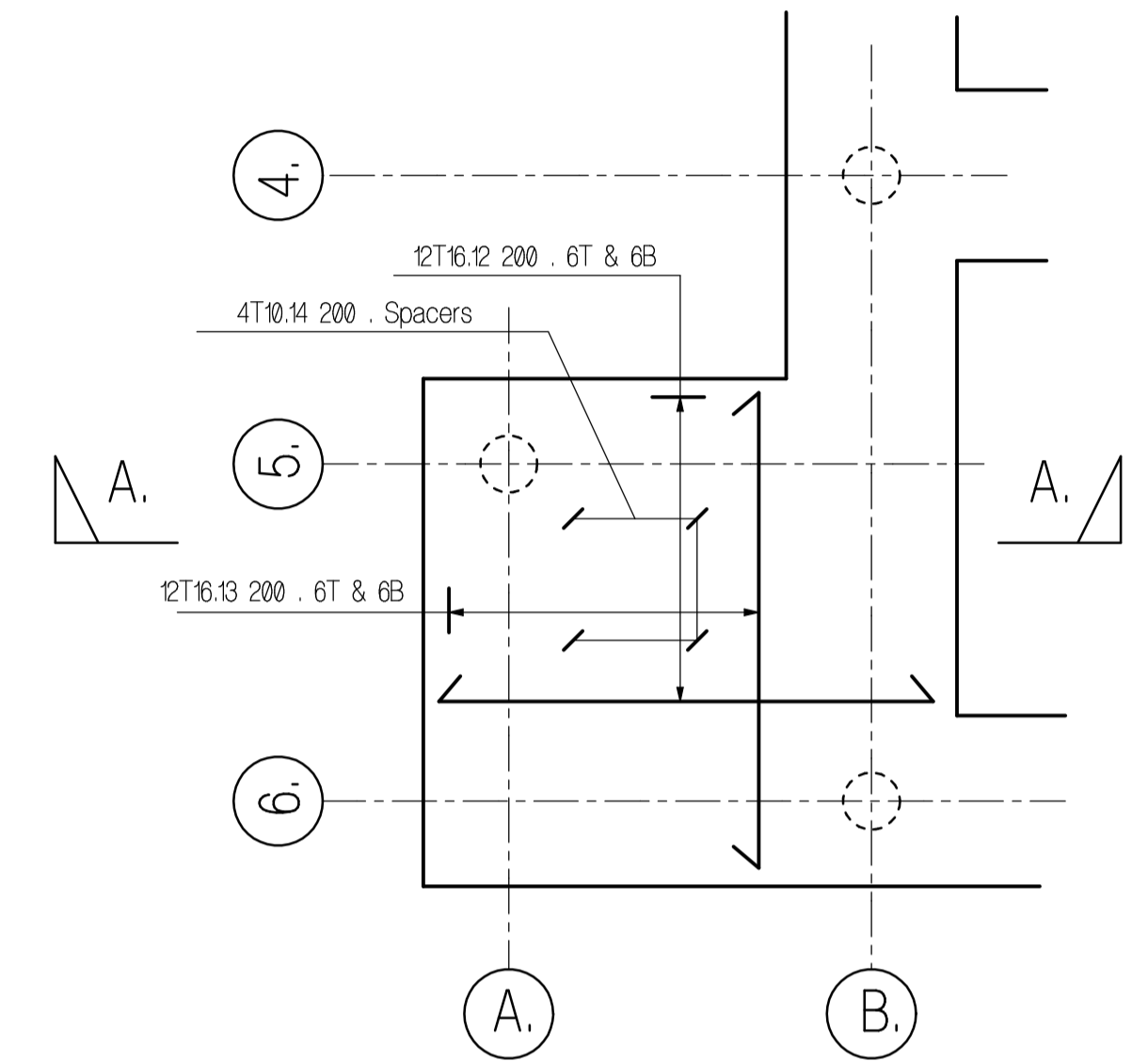
Beam B / 6 - 2  
Beam F / 6 - 2 similar.



Beam D / 6 - 1



Beam C / 6 - 1  
Beam E / 6 - 1 similar.



Cap 5- 6 / A - B  
Cap 5- 6 / F - G Similar  
but handed.

| Rev. | Description. | Date. |
|------|--------------|-------|
|      |              |       |

**PREMIER DESIGN**

Architectural & Structural Consultants

Jolly Lane Cottage  
Hexworthy  
Princetown  
Yelverton  
Devon PL20 6SD  
Tel 01364 631031 Fax 01364 631353  
e-mail designdrawings@btinternet.com

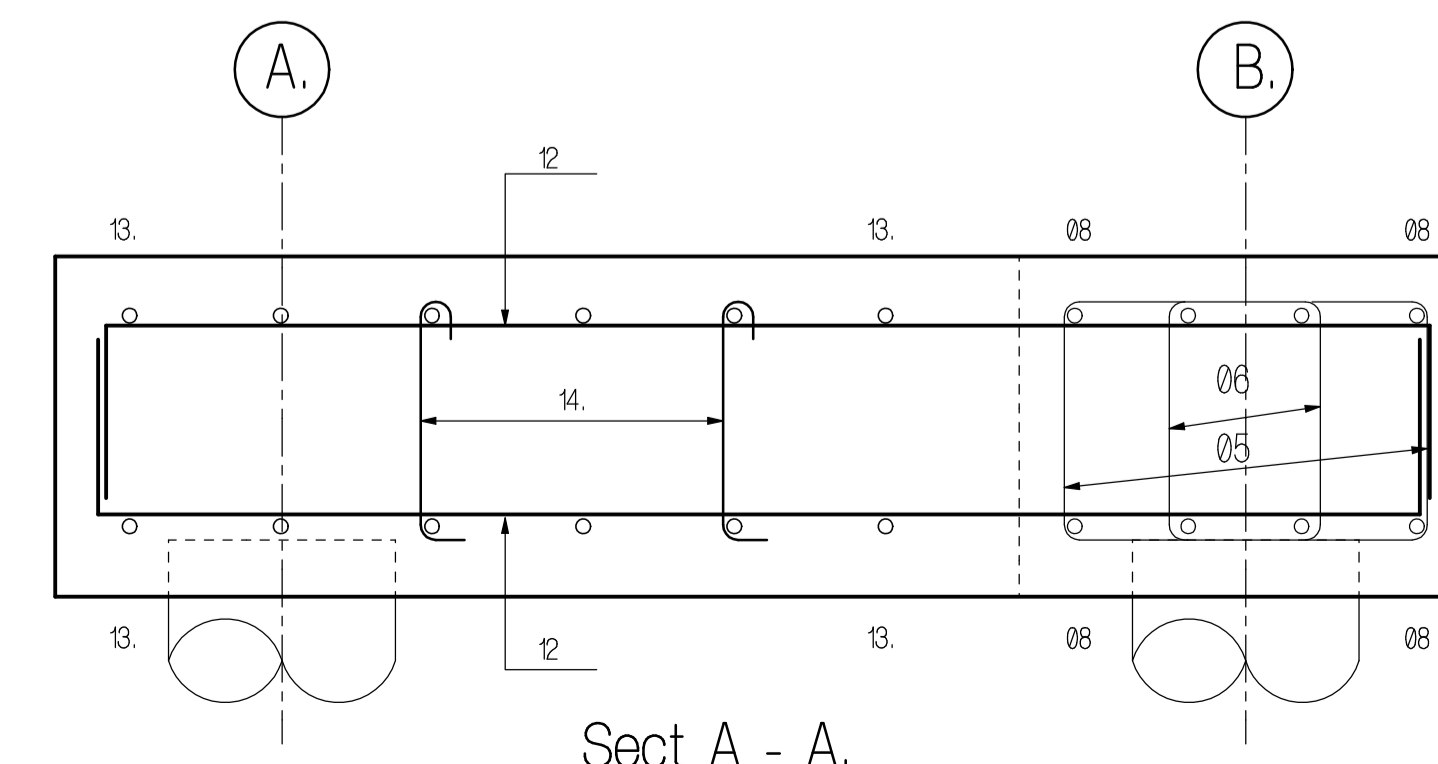
client Southgold Ltd.  
address 12 Brighton Road, South Croydon,  
Surrey, CR2 6AD. 020 8681 8283

site address  
69A Farnley Road, South Norwood,  
London, SE25 6NX.

scale: 1:25 date: June 2008

RC details of ground beams.

Drawing No. 08/54/01



Sect A - A.