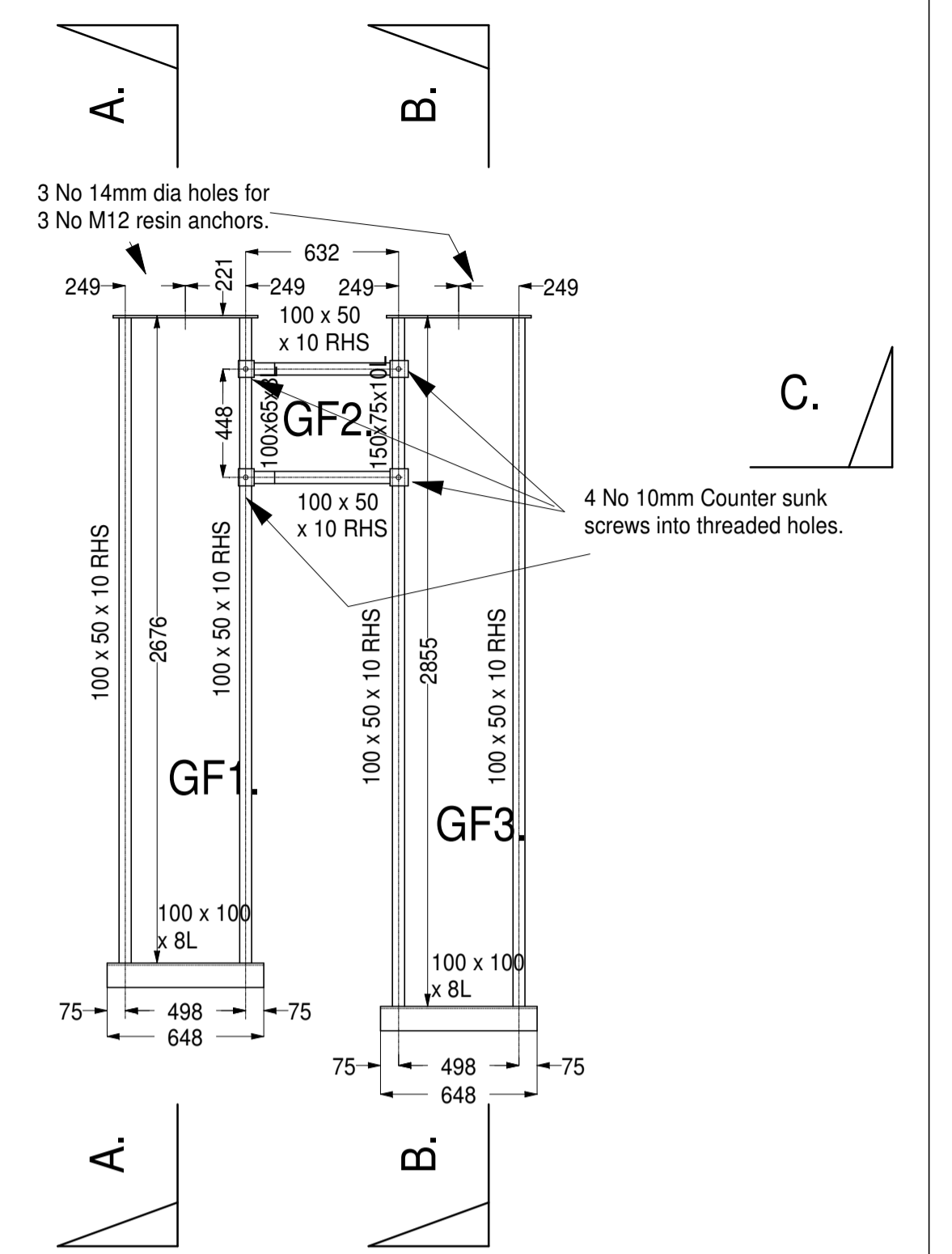
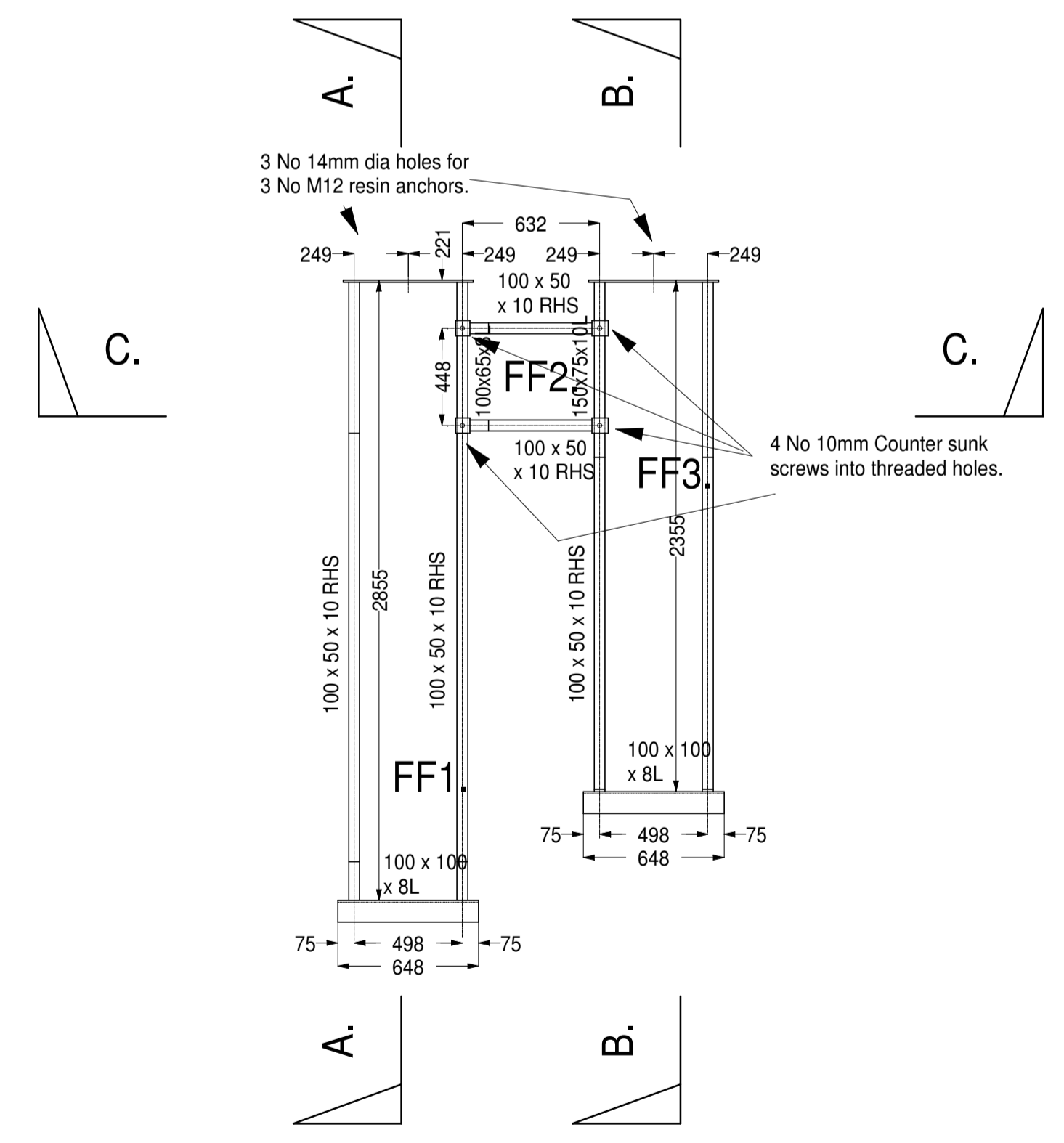


Basement to ground floor.
Scale 1:25



Ground to first floor.
Scale 1:25



First to second floor.
Scale 1:25

| Rev. | Description. | Date. |
|------|--------------|-------|
| | | |

N & A (Guildford) Ltd
 Unit 5, Kings Works
 Kings Road
 New Haw
 Surrey KT15 3BG
 Tel 07956 345670 FAX 01483 236528

client Miss C Gallagher
 address 2 Clabon Mews
 London, SW1X 0EJ.

site address
 2 Clabon Mews
 London, SW1X 0EJ.

scale. 1:10 & 25 date. Oct 2007

Staircase steelwork details.

Drawing No. 06/501/04